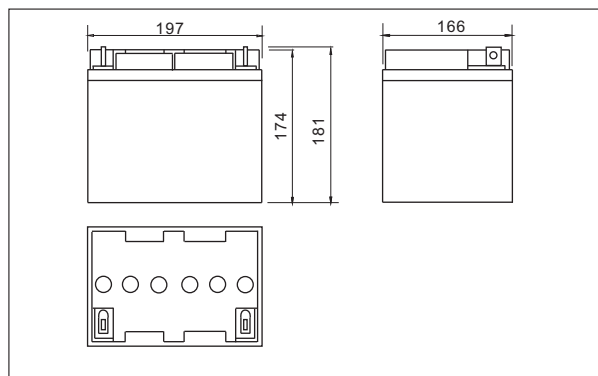


## NP12-40(12V40AH)



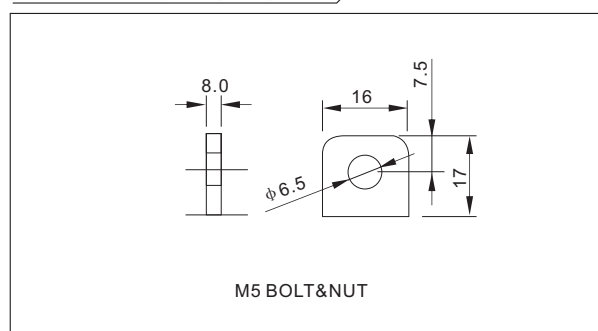
### Outer dimensions (mm)



### Specifications

Nominal Voltage	12V	
Rated capacity (10 hour rate)	40 Ah	
Dimensions	Total Height	181mm (7.13 inches)
	Height	174mm (6.85 inches)
	Length	197 mm (7.73 inches)
	Width	166mm (6.54 inches)
Weight Approx	13.0Kg (28.7lbs)	

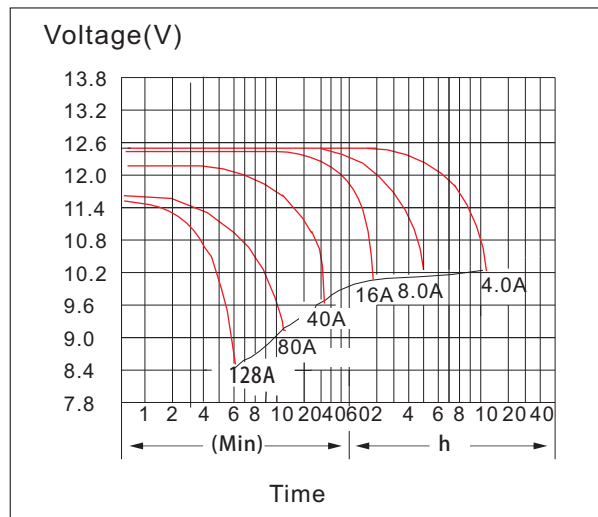
### Terminal Type (mm)



### Characteristics

Capacity 25°C(77°F)	10 hour rate(4.0A)	40.0AH
	5 hour rate(6.4 A)	32.0AH
	1 hour rate(24.0 A)	24.0AH
	1.5 hour discharge to 10.5V	16 A
Internal Resistance	Full charged Battery at 25°C(77°F)	8 m Ω
Capacity affected by Temperature (10hour rate)	40°C(104°F)	102%
	25°C(77°F)	100%
	0°C(32°F)	85%
	-15°C(5°F)	65%
Self-Discharge at 25°C(77°F)	Capacity after 3 month storage	91%
	Capacity after 6 month storage	82%
	Capacity after 12 month storage	64%
Terminal	T12	
Charge (constant Voltage)	Cycle	Initial Charging Current less than 15.2A Voltage 14.40-14.80V Time 14~16h
	Float	Voltage 13.50-13.80V

### Discharge Curves 25°C(77°F)



Constant Current(Amp) and Constant Power(Watt) Discharge Table at 25°C(77°F)

Time		5min	10min	15min	30min	1h	2h	3h	4h	5h	8h	10h	20h
9.60V	A	128	84	68	45.6	24.0	14.0	10.3	8.0	6.6	4.68	4.20	2.27
	W	1322	901	730	490	259	154	114	90	75	54	49	26.4
10.20V	A	124	76	64	43.6	22.6	13.4	10.0	7.8	6.5	4.56	4.12	2.20
	W	1325	850	717	489	255	154	116	91	76	53	48	25.8
10.50V	A	120	68	56	40.8	21.8	13.0	9.8	7.7	6.4	4.52	4.04	2.20
	W	1311	775	640	470	253	151	114	90	75	53	48	26.0
10.80V	A	116	64	52	37.6	21.1	12.7	9.5	7.6	6.2	4.40	4.00	2.16
	W	1298	740	600	436	246	149	112	89	74	52	48	25.7
11.10V	A	112	60	48	33.6	20.4	12.4	9.2	7.4	6.1	4.28	3.80	2.04
	W	1268	697	560	393	240	147	109	88	73	51	45.9	24.7

NOTE: FOR REFERENCE ONLY