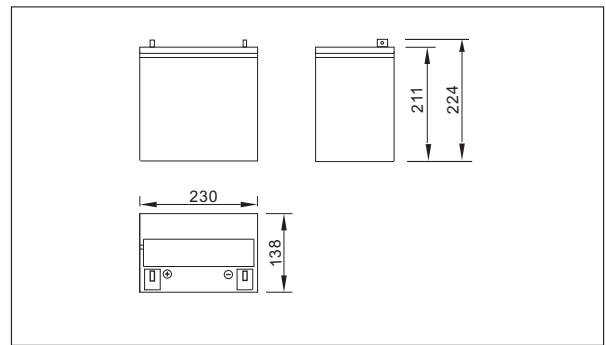


NP12-55(12V55AH)



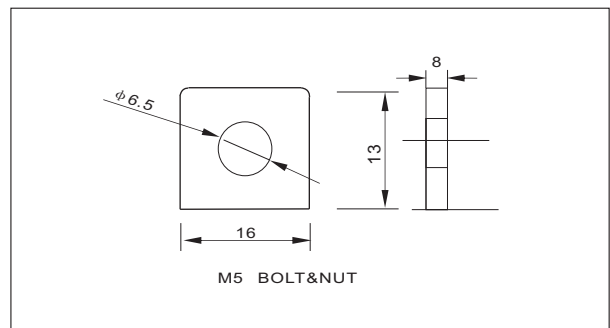
● Outer dimensions (mm)



● Specifications

| | | |
|-------------------------------|--------------|----------------------|
| Nominal Voltage | | 12V |
| Rated capacity (20 hour rate) | | 55 Ah |
| Dimensions | Total Height | 229 mm (9.01 inches) |
| | Height | 211 mm (8.30 inches) |
| | Length | 230 mm (9.06 inches) |
| | Width | 138 mm (5.43 inches) |
| Weight Approx | | 16.2Kg (35.6lbs) |

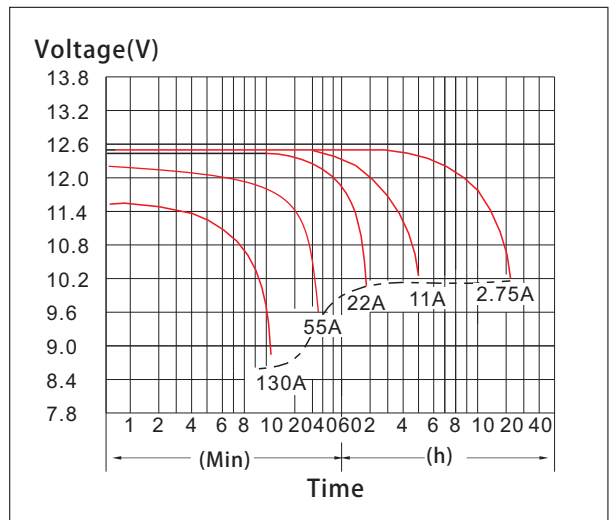
● Terminal Type (mm)



● Characteristics

| | | |
|--|------------------------------------|---|
| Capacity 25°C(77°F) | 20 hour rate(2.75A) | 55.0AH |
| | 5 hour rate(9.36A) | 46.8AH |
| | 1 hour rate(33 A) | 33.0AH |
| | 1.5 hour discharge to 10.5V | 22 A |
| Internal Resistance | Full charged Battery at 25°C(77°F) | 6.8mΩ |
| Capacity affected by Temperature (10hour rate) | 40°C(104°F) | 102% |
| | 25°C(77°F) | 100% |
| | 0°C(32°F) | 85% |
| | -15°C(5°F) | 65% |
| Self-Discharge at 25°C(77°F) | Capacity after 3 month storage | 91% |
| | Capacity after 6 month storage | 82% |
| | Capacity after 12 month storage | 64% |
| Terminal | T9、T16 | |
| Charge (constant Voltage) | Cycle | Initial Charging Current less than 22 A Voltage 14.40-14.80V Time 14~16h |
| | Float | Voltage 13.50-13.80V |

● Discharge Curves 25°C(77°F)



| Time | 5min | 10min | 15min | 30min | 1h | 2h | 3h | 4h | 5h | 8h | 10h | 20h |
|--------|------|-------|-------|-------|------|------|------|------|------|------|------|------|
| 9.60V | A | 198 | 130 | 96.3 | 63.3 | 33.0 | 19.3 | 14.2 | 11.4 | 9.65 | 6.37 | 5.20 |
| | W | 2055 | 1394 | 1032 | 680 | 356 | 211 | 158 | 128 | 110 | 73.0 | 60.1 |
| 10.20V | A | 182 | 124 | 88.5 | 60.0 | 31.0 | 18.5 | 13.8 | 11.0 | 9.46 | 6.26 | 5.11 |
| | W | 1949 | 1388 | 990 | 674 | 350 | 213 | 159 | 128 | 110 | 73.2 | 60.0 |
| 10.50V | A | 165 | 116 | 82.5 | 58.2 | 30.0 | 18.1 | 13.5 | 10.5 | 9.35 | 6.19 | 5.06 |
| | W | 1814 | 1320 | 941 | 670 | 347 | 210 | 158 | 122 | 110 | 72.8 | 59.9 |
| 10.80V | A | 159 | 111 | 77.0 | 56.6 | 29.0 | 17.6 | 13.3 | 10.3 | 8.94 | 6.03 | 4.93 |
| | W | 1782 | 1279 | 887 | 656 | 337 | 207 | 157 | 121 | 106 | 71.4 | 58.6 |
| 11.10V | A | 147 | 105 | 71.5 | 55.0 | 28.0 | 17.2 | 12.6 | 10.1 | 8.55 | 5.87 | 4.81 |
| | W | 1665 | 1210 | 832 | 644 | 329 | 203 | 150 | 120 | 102 | 70.3 | 58.1 |

NOTE: FOR REFERENCE ONLY